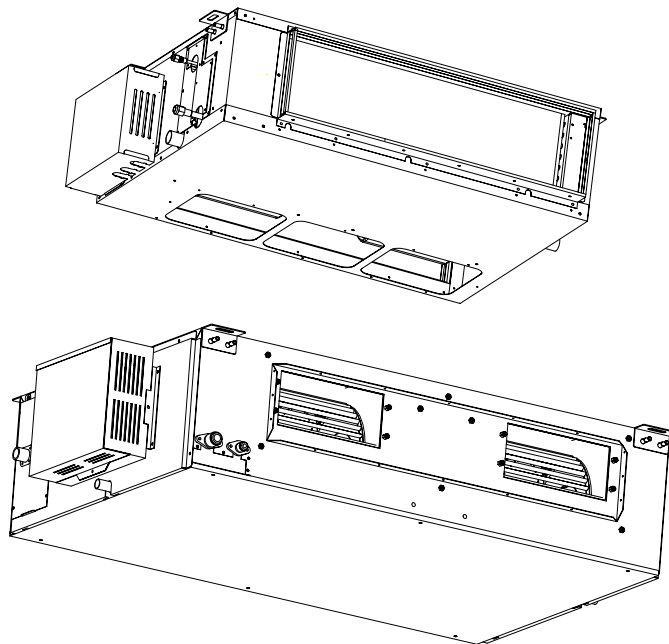


Operating and Installation Instructions Manual



DC Inverter Ducted Air-Conditioning Unit

Unit Model:

GFHD(09)AANK3A1AI

GFHD(12)AANK3A1AI

GFHD(18)AANK3A1AI

GREE ELECTRIC APPLIANCES, INC. OF ZHUHAI

Thanks for your selection of Gree Ducted Air-Conditioning Unit. Before use, please read this instruction manual carefully and keep it properly to ensure correct use of this machine.

Operating Instructions	Safety Considerations	3
	Wire controller (standard fitting)	4
	Operating instructions of wire controller	5
	Operation of Remote Controller	10
	Unit Function	14
Instructions of Unit Installation	Profile Dimension of Indoor Unit	17
	Installation of Indoor Unit	19
	Inspection of Level of Indoor Unit,Fabrication of Backwater Elbow	20
	Installation of Condensate Pipe	21
	Connection of Pipelines	23
	Installation of Connecting Pipe	24
	Installation of Wire Controller	26
	Electrical Installation	27
	Connection of Cables	29
	Troubleshooting and Maintenance	30

Safety Considerations

Please read this manual carefully before use and operate correctly as instructed in the manual.

1. You are specially warned to note the two symbols below.:



WARNING!: A symbol indicating that improper operation might cause human death or severe injuries.



WARNING!: A symbol indicating that improper operation might cause human injury or property damage.



WARNING!

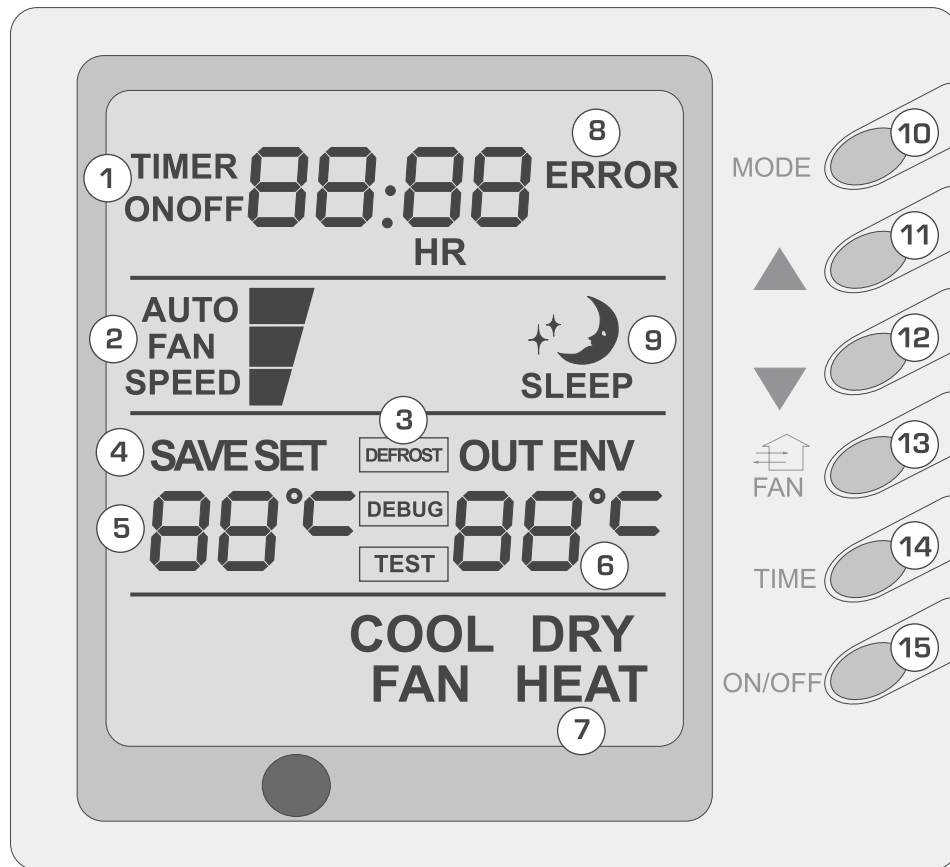
- This unit shall be used in offices, restaurants, residences or similar places.
- Please seek an authorized repair station for installation work. Improper installation might cause water leakage, electric shock or fire.
- Please install at a place strong enough to support the weight of air conditioner unit. If not, the air conditioner unit might fall down and cause human injury or death.
- To ensure proper drainage, the drainage pipe shall be correctly installed according to installation instructions. Take proper measures for heat preservation to prevent condensing. Improper installation of pipes might cause leakage and wet the articles in the room.
- Do not use or store flammable, explosive, poisonous or other dangerous substances beside the air conditioner.
- In case of trouble (e.g. burnt smell), please immediately cut off the main power of air conditioner unit.
- Keep air flow to avoid shortage of oxygen in the room.
- Never insert your finger or any objects into air outlet and inlet grill.
- Never plug or unplug the power cable directly to start or stop the air-conditioning unit.
- Please take constant care to check if the mounting rack is damaged after long use.
- Never modify the air conditioner. Please contact the dealer or professional installation workers for repair or relocation of the air conditioner.
- The appliance shall not be installed in the laundry.



WARNING!:

- Before installation, please check the power supply for compliance with the ratings on nameplate. Check the power safety as well. (Operating by professional)
- Before use, please check and confirm if the cables, drainage pipes and pipelines are correctly connected, hence to eliminate the risk of water leakage, refrigerant leakage, electric shock or fire.
- Main power must be securely earthed to ensure effective grounding of air conditioner unit and avoid the risk of electric shock. Please do not connect the earthing cable to coal gas pipe, water pipe, lightning rod or telephone line.
- Once started, the air conditioner shall not be stopped at least after 5 minutes or longer; otherwise the oil return to compressor may be affected.
- Do not let the child to operate the air conditioner unit.
- Do not operate the air conditioner unit with wet hands.
- Please disconnect the main power before cleaning the air conditioner or replacing the air filter.
- Please disconnect the main power if to put the air conditioner unit out of use for a long period.
- Please do not expose the air conditioner unit directly under corrosive environment with water or moisture.
- Please do not foot on or place any goods on air conditioner unit.
- After electrical installation, the air conditioner unit shall be energized for electrical leakage test. (Operating by professional)
- If the supply cord is damaged, it must be replaced by the manufacturer or its service agent or a similarly qualified person in order to avoid a hazard.
- An all-pole disconnection switch having a contact separation of at least 3mm in all poles should be connected in fixed wiring.
- The appliance shall be installed in accordance with national wiring regulations.
- The temperature of refrigerant circuit will be high, please keep the interconnection cable away from the copper tube.

Wire controller (standard fitting)



Composition of wire controller

1	Timing display
2	Fan speed display (Auto, High speed, Medium speed, Low speed)
3	Defrosting status display
4	Energy saving status display
5	Set temperature display
6	Ambient temperature display
7	Mode (cooling, dehumidifying, fan, heating, auto)

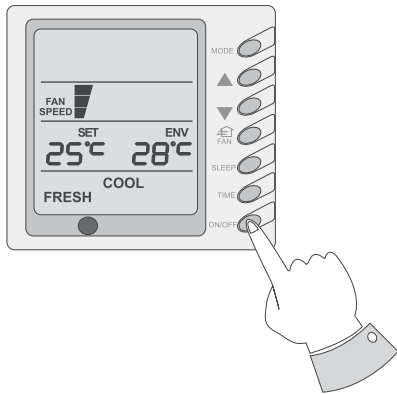
8	Failure status display
9	Sleep status display
10	Mode key
11	Set temperature increase key
12	Set temperature decrease key
13	Fan speed key (fresh air setting)
14	Timing key
15	ON/OFF key



- Never install the wire controller in a place where is water leakage.
- Avoid bumping, throwing, tossing or frequently opening the wire controller.

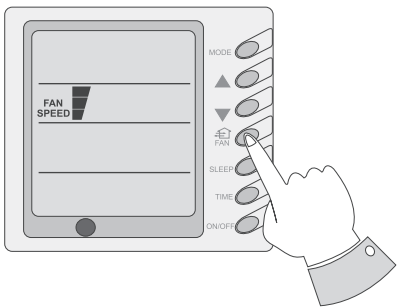
Operating instructions of wire controller

Turning ON/OFF unit



Press the ON/OFF key, then the unit shall start up. Press the ON/OFF key again, then the unit shall shut off.

Fan control (the figures show the relevant display areas)

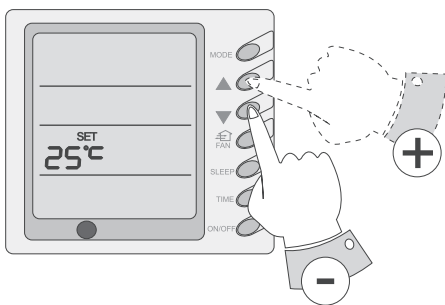


If the fan control key is pressed consecutively, the fan speed shall change as per the following sequence:

→ Low speed → Medium speed → High speed → Auto

In the dehumidifying mode, the fan speed shall be automatically set as low.

Temperature setting



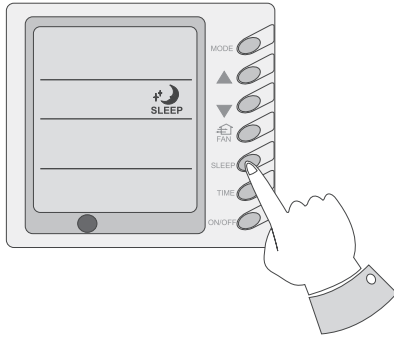
Press the temperature setting key (▲) to increase the set temperature; press the temperature setting key (▼) to decrease the set temperature (when pressing the keys once, the temperature shall increase or decrease by 1 °C). NOTE: key lock function: when the (▲) and (▼) keys are pressed simultaneously for 5 seconds, the set temperature indicating area shall display "EE" and all keys' response shall be shut off; press the two keys simultaneously for 5 seconds again, the key lock function shall be released. When the wire controller is locked by remote monitor or centralized controller, the keys of the wire controller and the signal of the remote controller are all locked and invalidated, and then the set temperature indicating area shall display "CC". Range of temperature setting under various modes:

Heating: 16 °C ~ 30 °C • Cooling: 16 °C ~ 30 °C

Dehumidifying: 16 °C ~ 30 °C •

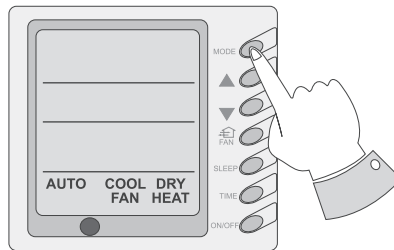
Fan: No temperature setting function

Sleep function setting



When the controller functions under cooling or dehumidifying mode and if the unit runs for one hour after the sleep key is pressed, the set temperature shall increase by 1, and the set temperature shall increase by another 1 after 2 hours and the unit shall run as per the increased set temperature. When the controller functions under heating mode and if the unit runs for one hour after the sleep key is pressed, the set temperature shall decrease by 1, and the set temperature shall decrease by another 1 after 2 hours and the unit shall run as per the decreased set temperature. Fan mode does not have sleep function.

Operating Mode Setting



this key is pressed consecutively, the operating mode shall change as per the following sequence:

→Cooling →Dehumidifying → Fan →Heating →Auto

When the unit operates under "Cooling" mode, "COOL" shall be displayed. Now the set temperature must be lower than the ambient temperature. Now if the set temperature is higher than the ambient temperature, the unit shall not produce cooling effect but shall only operate under Fan mode.

When the unit operates under "Dehumidifying" mode, "DRY" shall be displayed. Now the interior fan shall operate in the manner of low speed air supply within a certain range of temperatures. The dehumidifying effect of this mode is better than that of the Cooling mode and saves more energy.

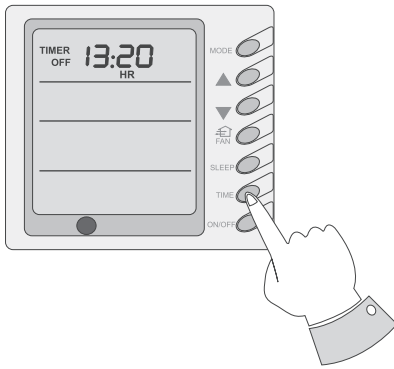
When the unit operates under "Heating" mode, "HEAT" shall be displayed. Now the set temperature must be higher than the ambient temperature; Now if the set temperature is lower than the ambient temperature, the heating function shall not be started.

When the unit operates under "Fan" mode, "FAN" shall be displayed. When the unit operates under "Auto" mode, "AUTO" shall be displayed and the unit shall adjust its operating mode automatically according to the ambient temperature.

When the unit operates under Heating mode and the outdoor temperature is low and the humidity is high, frost shall produce at the outdoor unit. Now the heating efficiency shall be decreased. When frosting happens, the controller shall automatically start to defrost, and "DEFROST" shall be displayed.

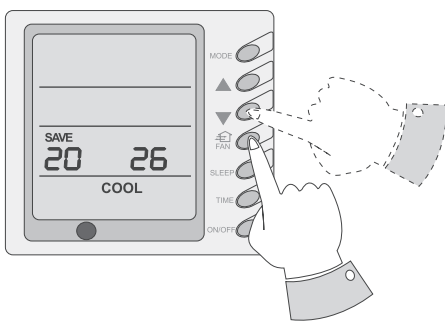
Note: Cooling only type unit does not have heating mode and when energy saving is set the Auto mode shall be invalidated.

Timing Setting



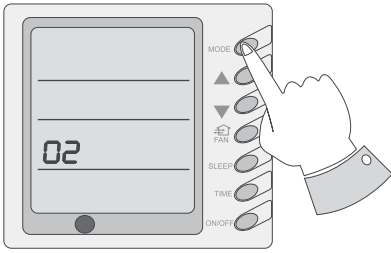
When the unit is shut off, timing start can be set; After the unit is started up, timing shutoff can be set. After the "TIME" key is pressed, the unit enters the timing set status and the word "TIME" flashes on the display. Now user can press (▲) or (▼) key to increase or decrease the set time. Press the "TIME" key again and then the timing shall go into effect. Now the unit starts to count the time passed. When the unit is under timing status, you can cancel timing set by pressing the "TIME" key. The range of set time is between 0.5 to 24 hours.

Energy Saving Setting



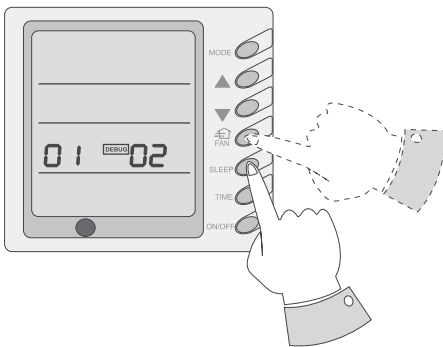
When the unit is shut off, press the "FAN" key and the (▼) simultaneously for 5 consecutive seconds to activate the energy saving setting menu. Now "SAVE SET" and "COOL" are displayed (In case it is the first time to set energy saving, the initial value shall be displayed: 26). The lower limit of temperature shall be displayed on the set temperature and the temperature value under setting shall flash. Set the lower limit of cooling temperature using the (▲) key or the (▼) key (the lower limit temperature can be selected from the range between 16-30). Press the "ON/OFF" key to confirm the setting; Also use the (▲) key or the (▼) key to set the upper limit of temperature and the temperature value shall flash on the ambient temperature area (OUT ENV area) (the upper limit temperature can be selected from the range between 16-30). Press the "ON/OFF" key to confirm the setting. Please pay attention that the upper limit temperature must be higher than the set lower limit temperature; Otherwise the system shall regard the higher temperature as the upper limit temperature and the lower one as the lower limit temperature. Press the "MODE" key to complete the energy saving setting for the modes of cooling and dehumidifying and turn to the energy saving setting for the heating mode (Cooling only unit does not have this function). Now the LCD displays "SAVE SET" and "HEAT". After setting is completed, press the "FAN" key and the (▼) key simultaneously for 5 consecutive seconds to exit the setting of energy saving. After the energy saving setting interface is activated, the system shall exit the interface if there is no any operation within 20 minutes after the last key input, and the normal shutoff status interface shall be displayed. After the above settings are completed, the system shall display "SAVE". Now the set temperature shall not exceed the temperature range of the energy saving setting before. For example, the lower cooling limit is set as 23 °C and the upper cooling limit is set as 27°C for the energy saving temperature setting in Figure 9, so the cooling temperature can only be selected from the range of 23 °C to 27°C by using the remote controller or the wire controller later. If the upper limit temperature is the same as the lower limit temperature, the system can only operate at such temperature under relevant modes. Remove of energy saving setting: To remove the energy saving setting after it takes into effect, you can press the "FAN" and the (▼) key simultaneously for 5 consecutive seconds when the unit is shut off. But the value set before will not be cleared but as the initial set temperature for the next energy saving setting. After the unit is disconnected to power supply, the energy saving setting shall be stored. The setting still functions when the unit is connected to power supply again. If the energy saving mode is set, the sleep mode and the auto mode shall be invalidated

Power-fail Memory Function Setting



Press and hold the "MODE" key for 10 seconds when the unit is shut off to switch set values so as to decide if the unit operating status or shutoff status shall be memorized after a power fail. If the set temperature area displays 01, it means the unit operating status or shutoff status shall be memorized after a power fail; 02 means the operating status or shutoff status shall not be memorized. Press the "ON/OFF" key to store the set value and exit the setting.

Debug Function



When the unit is shut off, press the "FAN" key and the "SLEEP" key simultaneously to activate the debug menu. Now the LCD displays "DEBUG". Press the "MODE" key to select setting item and use the (▲) key or the (▼) key to set actual valve.

Setting of Ambient Temp. Sensor

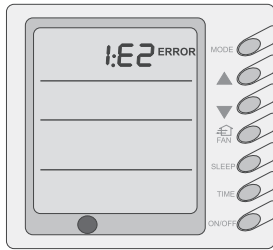
Under the debug mode, press the "MODE" key so as to display "01" on the set temperature area (at the left of "DEBUG"). The OUT ENV area (at the right of "DEBUG") displays setting status. Now use the (▲) key or the (▼) key to select from the following two settings:

The indoor room temperature is measured at the air intake (Now the OUT ENV area displays 01).

The indoor room temperature is measured at the wire controller (Now the OUT ENV area displays 02).

Heating mode or Auto mode the indoor room temperature is measured at the wire controller, otherwise is measured at the air intake (Now the OUT ENV area displays 03).

Failure Display



When there is failure in the unit operation, "ERROR" will flash on the LCD of the wire controller and the code of failure will also be displayed. When there are multiple failures at the same time, the codes of failures will be displayed one after one on the wire controller. The first digit of the code denotes the system number. When there is only one system, the system number is not displayed. The last two digits denote the detailed failure code. For example, the code in Figure 13 means low pressure protection of compressor.

The Codes of Failure Definitions are as Follows:

Fault code	Meaning	Wire controller
1	Compressor high pressure protection unit stop	E1
2	Indoor unit anti-freezing protection	E2
3	Low-pressure protection unit stop	E3
4	Air exhaust protection unit stop	E4
5	Over current protection unit stop	E5
6	Communication malfunction unit stop	E6
7	Unit modes conflict	E3
8	Jumper malfunction	E3
9	Defrosting /Heating oil return	defrost
10	Compressor overload protection unit stop	E5
11	System Unit malfunction	F2
12	IPM modular protection unit stop	E5
13	PFC protection unit stop	E5
14	Compressor malfunction	E9
15	Water spill protection	E9
16	Indoor ambient temp. sensor malfunction	F0
17	Indoor pipe temp. sensor malfunction	F1
18	Outdoor ambient temp. sensor malfunction	F3
19	Outdoor pipe temp. sensor malfunction	F2
20	Outdoor air exhaust temp. sensor malfunction	F4
21	E2 PROM Error	E3
22	Wire controller ambient temp. sensor malfunction	F5

E5 Material Malfunction Will Be Showed By The Indicator Light On The Mother Board Of Outside Unit



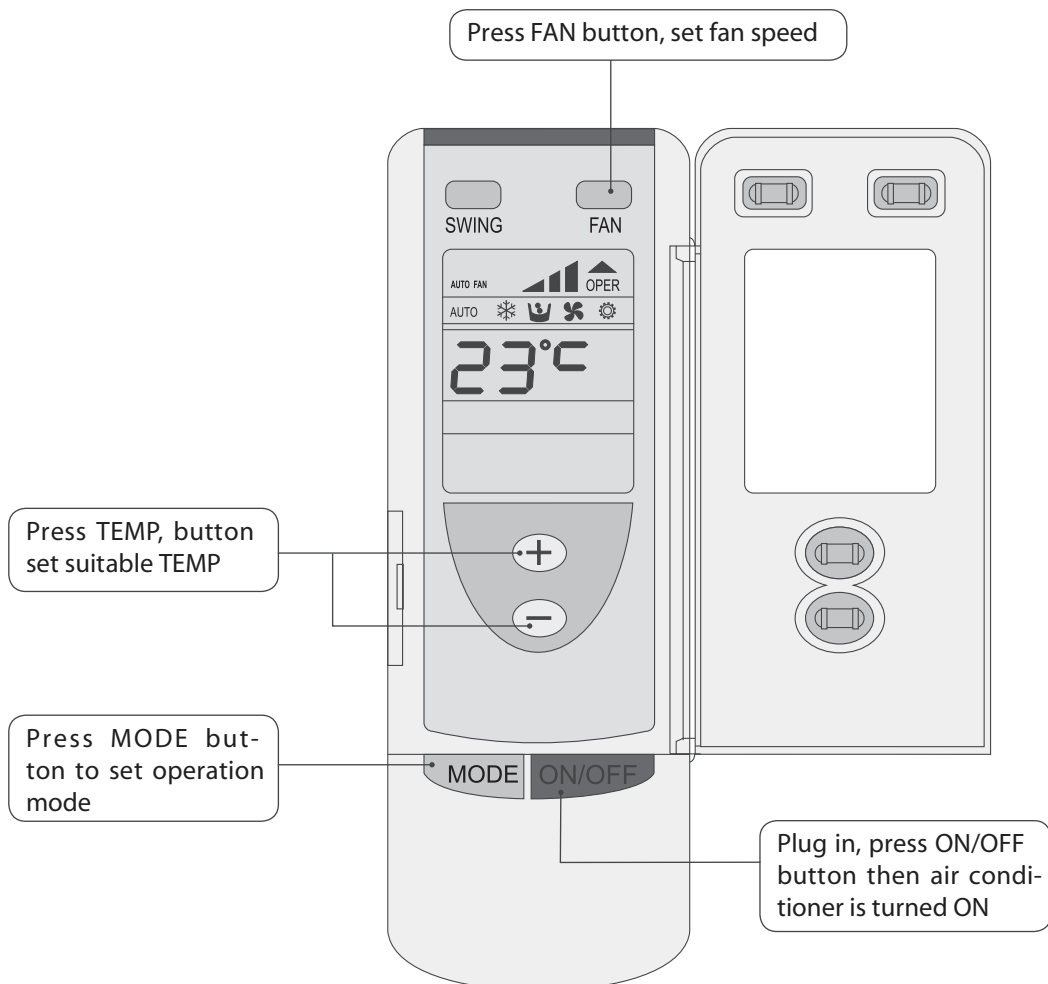
- The "EH" failure is displayed, cut off the power supply of the unit immediately, and only ask professional serviceman to repair the unit!

Operation of Remote Controller

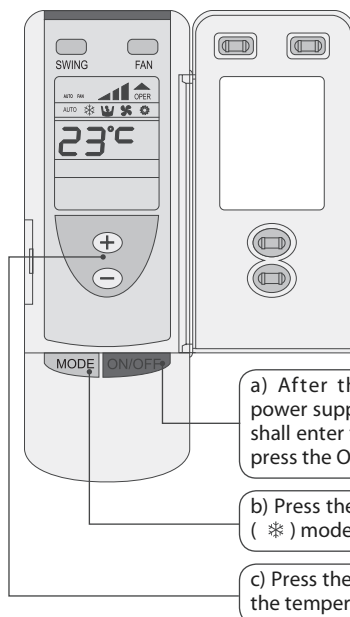


Precautions:

- Ensure there is no obstacle between the remote controller and the signal receiving window of the air conditioner.
- The distance able to receive the signal of the remote controller can be as far as 8 meters.
- Never drop or throw at will the remote controller.
- Never let any liquid enter the remote controller. Avoid direct sunshine over the remote controller. Do not place the remote controller in an extremely hot place.

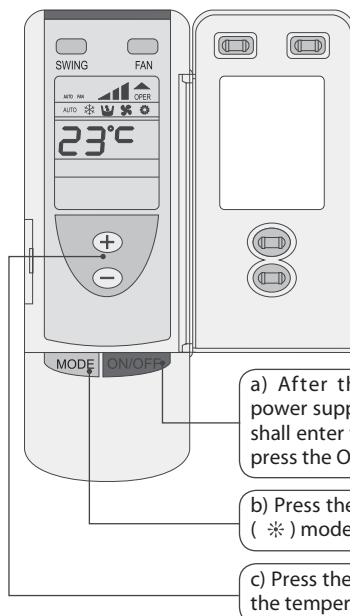


Cooling Mode Operation



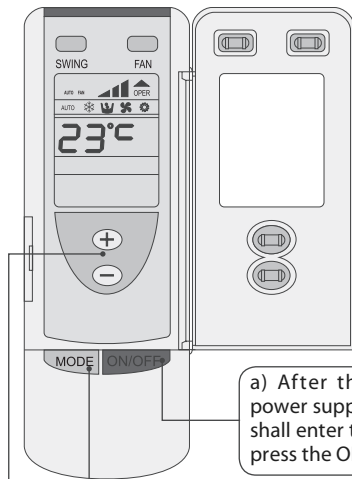
Connect the unit to power supply. Press the "ON/OFF" key. Press the "MODE" key to select "Cooling" mode. Use the "Temperature" key to adjust the set temperature for the room.

Heating Mode Operation



Connect the unit to power supply. Press the "ON/OFF" key. Press the "MODE" key to select "Heating" mode. Use the "Temperature" key to adjust the set temperature for the room.. Under the heating mode, the unit has the functions of preventing cold air supply and supplying remaining heat. After the startup of the compressor, the indoor fan shall start operation when the evaporator temperature is larger or equals 35 or after the unit has be started for 5 seconds (the indoor environment temperature is larger or equals 20°C), or after the unit has be started for 90 seconds(the indoor environment temperature is less 20°C), so as to avoid supply of cold air shortly after the unit is started.After the stop of the compressor, the indoor fan shall stop operation after supplying air for 120 seconds.

DRY (Dehumidifying) Mode Operations



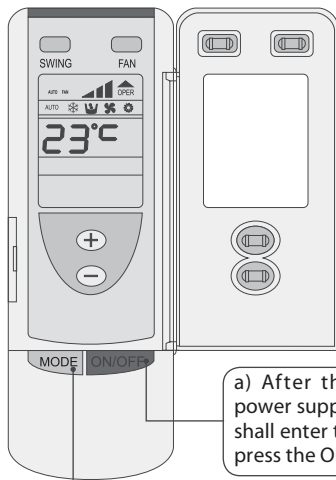
a) After the unit is connected to power supply, the air conditioning unit shall enter the operating status if you press the ON/OFF key

b) Press the mode key and select the (w) mode

c) Press the temperature key and set the temperature as required

Connect the unit to power supply. Press the "ON/OFF" key. Press the "MODE" key to select "DRY (Dehumidifying)" mode. Use the "Temperature" key to adjust the set temperature for the room.

Fan Mode Operation

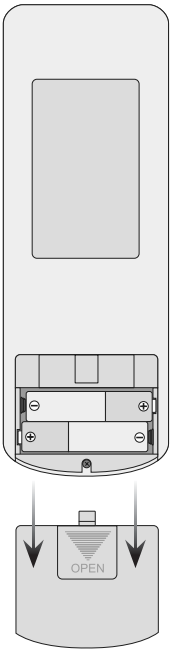


a) After the unit is connected to power supply, the air conditioning unit shall enter the operating status if you press the ON/OFF key

b) Press the mode key and select the (*) mode

Connect the unit to power supply. Press the "ON/OFF" key. Press the "MODE" key to select "FAN" mode. The unit shall operate under "FAN" mode. Press the "FAN" key to select from high, medium and low speed.

Loading Batteries Into Remote Controller



- After batteries are installed, the display shall display icons and letter codes of all functions.
- The life of batteries is about 1 year.
- Do not mix new and old batteries or mix different types of batteries in usage
- If the remote controller shall not be used for a long time, take out the batteries to avoid liquid leakage and any subsequent failure.
- Load two "AAA" batteries (Accessories)

Unit Function

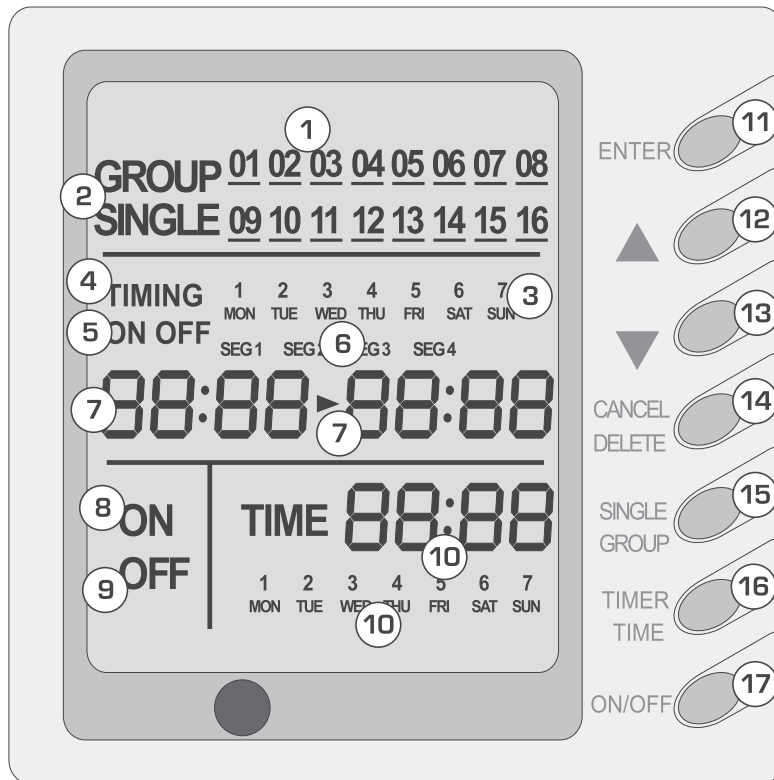
• 7DP - Seven days programmer (Accessory not supplied)

Centralized Control and Week Timer Functions: The centralized controller and the weekly timer are integrated in the same wire controller. The system has both the centralized con-

trol and the week timing functions. Up to 16 sets of units can be controlled simultaneously by the centralized controller (weekly timer). The weekly timer has the function of invalidating

the lower unit. The weekly timing function is able to realized four timing ON/OFF periods for any unit every day, so as to achieve fully automatic operation.

This WEEKLY TIMER adopts 485 mode to communicate with manual control of every duct type unit, and it can control up to 16 units. Adopting 2-core twisted-pair wire, the longest communication distance of this TIMER is 1200m. After connected to power, the WEEKLY TIMER can display all connected units (sequence of unit is determined by code switch of manual control of every duct type unit). On and off of every duct type unit can be done through the Timer On / Off of this WEEKLY TIMER, and the button shield operation of manual control can be done through shield setting on WEEKLY TIMER. Mode selection and temperature adjustment and other operations are done through the manual control at every unit.



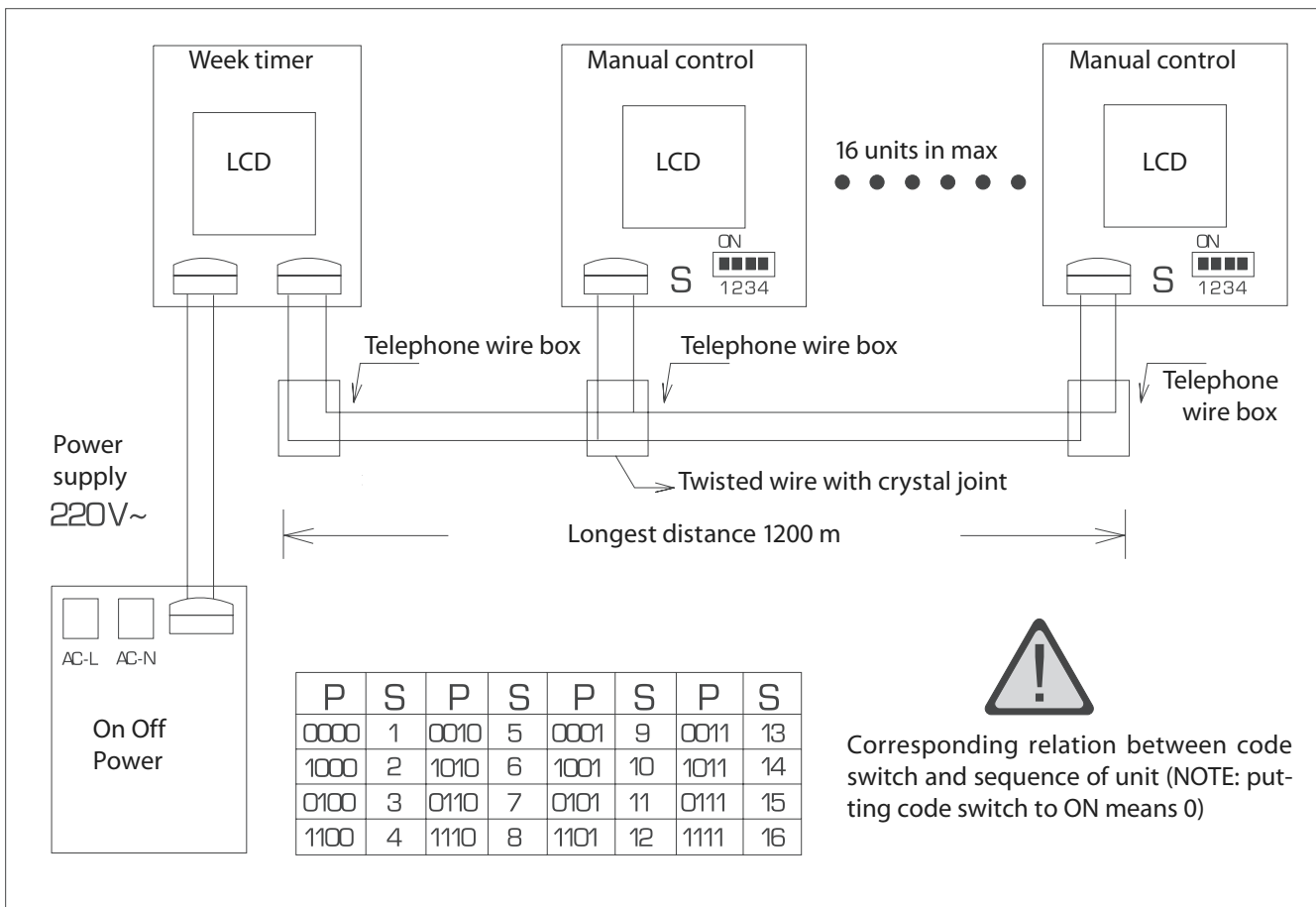
Composition of programmer wall week

1	Unit display
2	Single/group display
3	Timer week display
4	Timer display
5	Timer state display
6	Timer time period display
7	Timer ON/OFF time display
8	Unit on display

9	Unit off display
10	Clock display
11	Confirm button
12	Increase button
13	Decrease button
14	Cancel/delete button
15	Single/group button
16	Timer/time button
17	ON/OFF button

Note:

1. For upper unit checks 16 lower units consecutively, there will be no more than 16 seconds delay when setting works till unit responds.
 2. Please let us know your requirement before your placing the order, for this WEEKLY TIMER will only be prepared when customer orders (communication joint with WEEKLY TIMER on manual control had been prepared).
1. Press ▲ or ▼ to select the unit that needed to be control. It is available to control several units by Group Control (1~16), or control single unit by Single Control.
 2. When selected a certain or several units by Single Control or Group Control, Timer setting and On/off setting can be set. Timer setting can set 4 on/off times in a day in one week; and on/off setting can be done by pressing on/off button.
 3. Connection between WEEKLY TIMER and manual control is shown as following:



2. Setting of Double Indoor Room Sensors

This series of ducted air-conditioning unit has two indoor room sensors. One is located at the air intake of the indoor unit and the other one is located inside the wire controller.

User can select one from the two indoor room sensors on the basis of the engineering requirement (Refer to the section of wire controller instructions for detailed operation. The default indoor room sensor is the one located at air intake.)

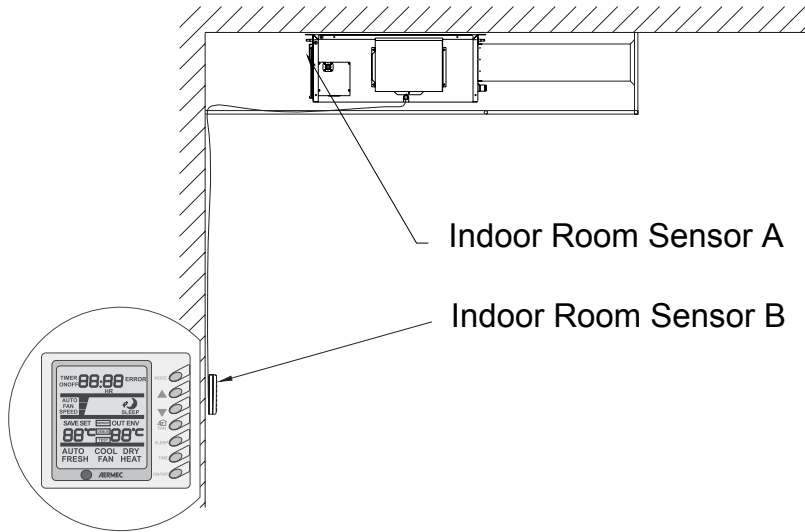


Fig.1

Profile Dimensions of Indoor Unit

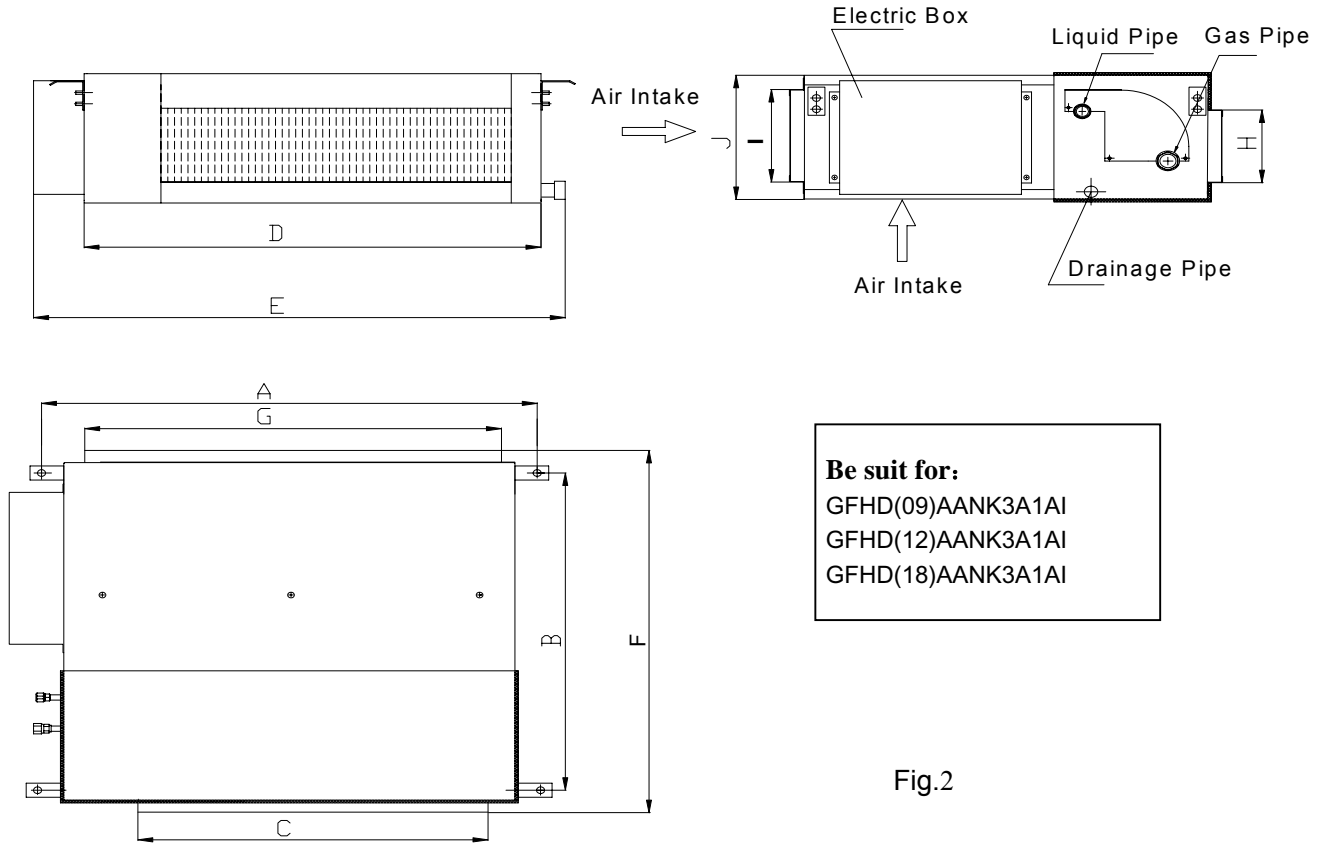


Fig.2

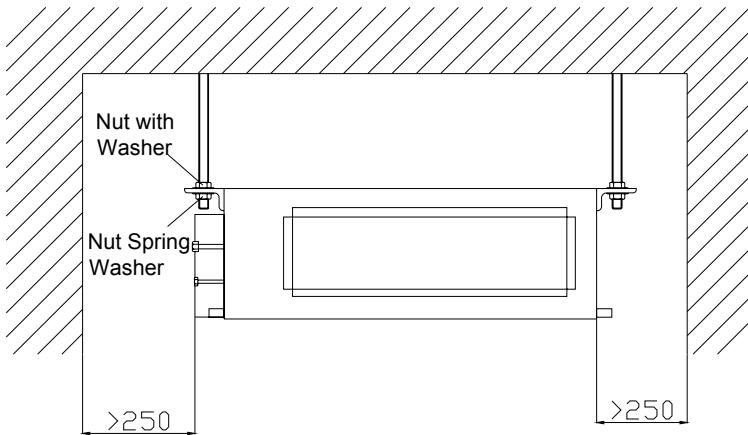
Instructions of Unit Installation

Profile Dimensions of Indoor Unit

Profile Dimensions of Indoor Unit

Model \ Item	A	B	C	D	E	F	G	H	I	J	Connecting Pipe (Liquid Pipe)	Connecting Pipe (Gas Pipe)	Drainage Pipe (Outer Diameter × Wall Thickness)
GFHD(09)AANK3A1AI	856	571	515	790	913	680	750	100	172	220	1/4"	3/8"	φ 20 × 1.5
GFHD(12)AANK3A1AI												1/2"	
GFHD(18)AANK3A1AI	932	430	738	894	1012	736	738	125	207	266	1/4"	1/2"	φ 30 × 1.5

Dimension Requirement of the Installation Space of Indoor Unit



Be suit for:
 GFHD(09)AANK3A1AI
 GFHD(12)AANK3A1AI
 GFHD(18)AANK3A1AI

Fig.3

Warning: The height of installation for the indoor unit should be 2.5m above.

Installation of Indoor Unit

1. Selection of Installation Site

- (1) Ensure the top hanging piece has strong strength to withstand the weight of the unit.
- (2) The drainage pipe has convenient flow of water.
- (3) There is no obstacle blocking the air intake and exhaust outlet, so as to ensure sound air circulation.
- (4) The installation spaces required by the drawing must be ensured, so as to provide enough space for the service and maintenance.
- (5) The installation site must be far away from heat source, leakage of inflammable gas or smoke.
- (6) The indoor unit is of ceiling mount (indoor unit is hidden inside the ceiling).
- (7) The indoor and outdoor units, the power cable and the connecting electrical lines must be at least 1 meter from any TV set or radio. This is to avoid image interference or noise of the TV set or radio. (Even if the distance is 1 meter, noise can also exist if there is strong electric wave.)

2. Installation of Indoor Unit

- (1) Insert a M10 expansion bolt into the hole. Drive a nail into the bolt. Refer to the profile dimensions drawing of the indoor unit for the distance between the holes. Refer to Figure 4 for the installation of the expansion bolt.

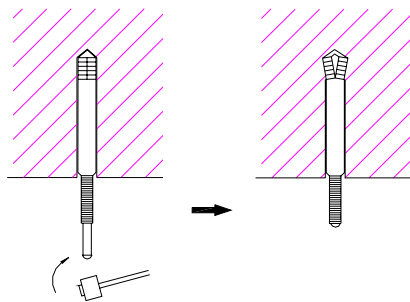


Fig. 4

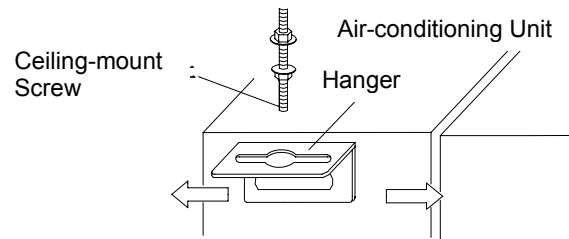


Fig. 5

- (2) Install the hanger onto the indoor unit as Figure 5 shows.
- (3) Install the indoor unit at the ceiling as Figure 6 shows.

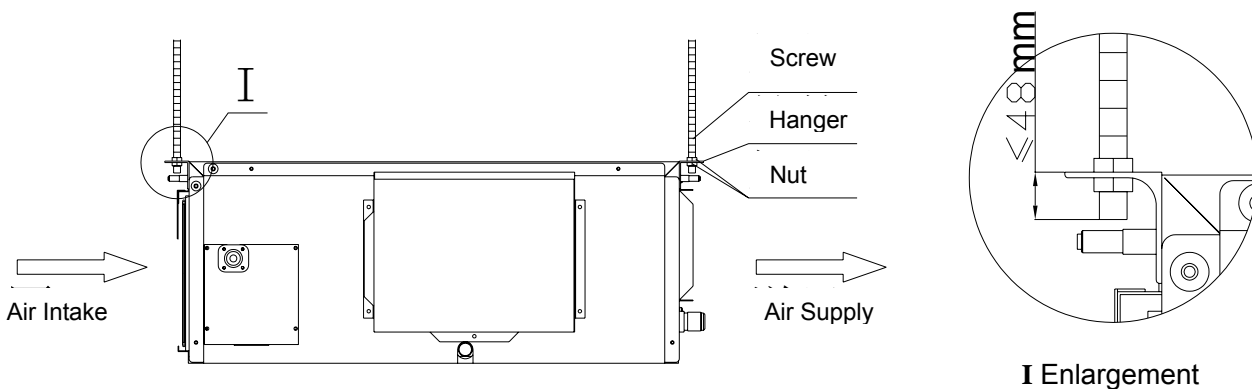


Fig. 6



Precautions:

1. The preparation of all pipes (connecting pipes and drainage pipes) and cables (connecting lines of wire controller, indoor unit and outdoor unit) must be ready before the installation, so as to achieve smooth installation.
2. Drill an opening on the ceiling. Maybe it is required to support the ceiling to ensure the evenness of it and avoid the vibration of it. Consult with the user or a construction company for details.
3. In case the strength of ceiling is not enough, use angle iron sections to set up a beam support. Place the unit at the beam and fix it.

Level Check of the Indoor Unit

After the indoor unit is installed, it is required to check the level of the whole unit. The unit must be placed horizontally, but the condensate pipe shall be installed obliquely, so as to facilitate the drainage of condensate.

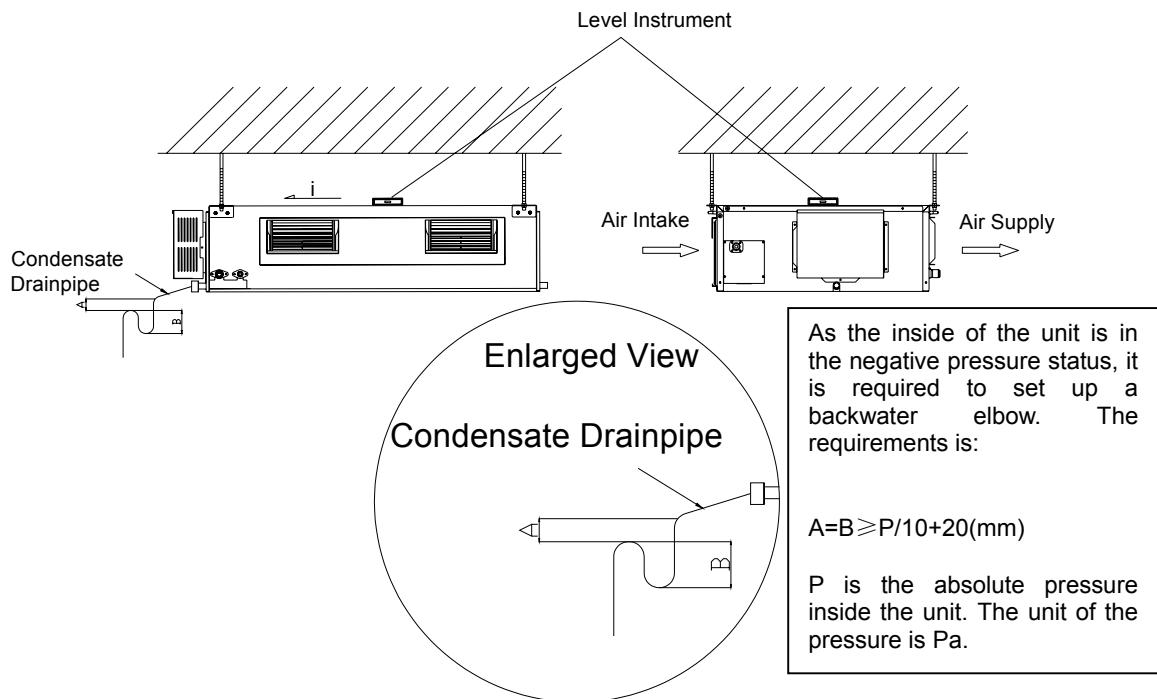
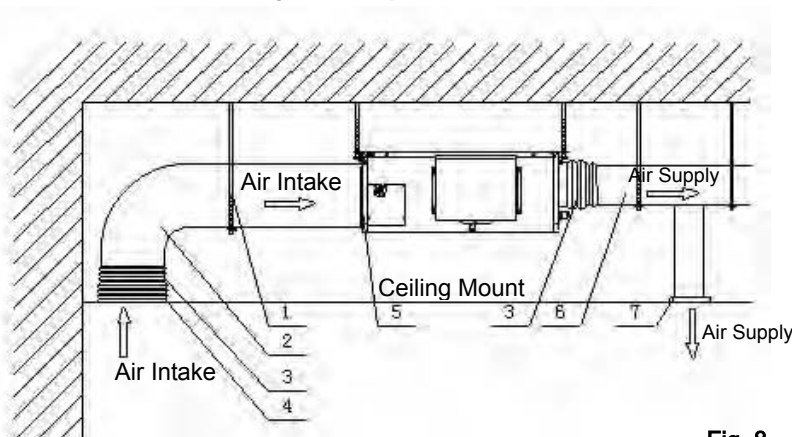


Fig. 7

Installation of Rectangular Air Pipe



No.	Name	No.	Name
1	Hanger	5	Filter
2	Air Intake Pipe	6	Main Air Supply Pipe
3	Canvas Air Pipe	7	Air Supply Outlet
4	Air Intake		

Fig. 8

⚠ Cautions:

- The air supply pipe, the air intake pipe and the fresh air pipe must be covered with a layer of thermal insulation, so as to avoid thermal leakage and condensation. Firstly apply liquid nail on the pipes, then attach the thermal insulation cotton with a layer of tinfoil. Use the liquid nail cover to fix it. Lastly use tinfoil adhesive tape to carefully seal the joints; other good thermal insulation materials can also be used.
- The air supply pipes and the air intake pipes shall be fixed to the prefabricated boards of the ceiling by using iron supports. The joints of the pipes must be sealed by glue so as to avoid leakage.
- The design and installation of air pipes must be in conformity with the relevant state engineering criteria.
- The edge of the air intake pipe must be at least 150mm away from the wall. The air intake must be covered with filter.
- Silencing and shock absorption shall be considered in the design and installation of the air pipes. Additionally, the noise source must be far away from where people stay. The air intake shall not be located above the place where users stay (offices and rest places, etc.).

Installation of Condensate Pipe

- (1) The condensate pipe shall be installed with an inclining angel of $5\sim 10^\circ$, so as to facilitate the drainage of condensate. The joints of the condensate pipe must be covered by thermal insulation materials to avoid generation of exterior condensate.
- (2) A condensate outlet is located at both the left and right sides of the indoor unit. After selecting one condensate outlet, the other outlet shall be blocked by rubber plug. Bundle the blocked outlet with string to avoid leakage, and also use thermal insulation materials to wrap the blocked outlet.
- (3) When shipped out from factory, both the condensate outlets are blocked by rubber plugs.

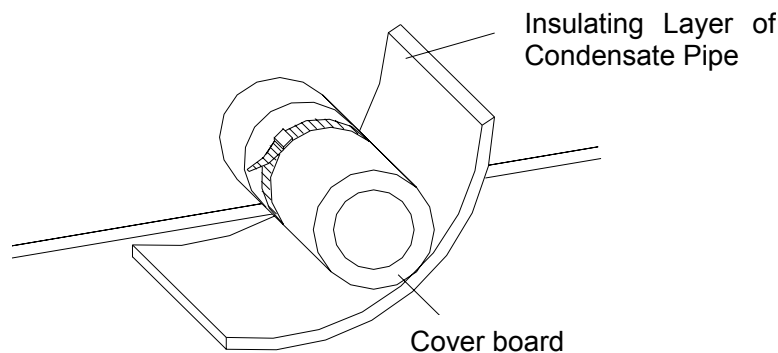


Figure 9 Thermal Insulation of Condensate Pipe

⚠ **Caution: The joint of condensate pipe must not have leakage.**

Design of Drainage Pipeline

- (1) The pipeline must always have an inclining angle ($1/50\sim 1/100$), so as to prevent the pipeline froming water flow.
- (2) When connecting the drainage pipe with the unit, do not apply excessive force to the pipeline at the side of the unit. The fixing position of the pipeline shall be near the unit.
- (3) Purchase general-purpose hard PVC pipe locally to be used as the drainage pipeline. When carrying out connection, place the end of the PVC pipeline into the drainage hole. Use flexible drainage tube and tighten it with thread loop. Never use adhesive to connect the drainage hole

and the flexible drainage tube.

- (4) When the laid drainage pipe is used for multiple units, the common pipe shall be about 100mm lower than the drainage outlet of each set of unit. A pipe with thicker wall shall be used for such purpose.

Testing of Drainage System

- (1) After the electrical installation is completed, carry out the testing of the drainage system.
- (2) During the test, check if the water correctly flows through the pipelines. Carefully observe the joints to ensure that there is no leakage. If the unit is to be installed in a new house, carry out testing before decorating the ceiling.
- (3)

Selection of Connecting Pipe

Model \ Item	Size of Fitting Pipe (Inch)		Max. Pipe Length (m)	Max. Height Difference between Indoor Unit and Outdoor Unit m	Amount of Additional Refrigerant to be Filled (For Extra Length of Pipe)
	Gas Pipe	Liquid Pipe			
GFHD(09)AANK3A1AI	3/8	1/4	20	15	30g/m
GFHD(12)AANK3A1AI GFHD(18)AANK3A1AI	1/2				

- Note:**
- The standard pipe length is 5m. When the length (L) of the connecting pipe is less than or equals 5m, there is no need to add refrigerant. If the connecting pipe is longer than 5m, it is required to add refrigerant. In the above table, the amounts of refrigerant to be added for the models are listed for each additional meter of pipe length.
 - The pipe wall thickness shall be 0.5-1.0 mm and the pipe wall shall be able to withstand the pressure of 6.0 MPa.
 - The longer the connecting pipe, the lower the cooling effect and the heating effect.

Connection of Pipeline

1. Align the flared end of the copper pipe with the center of the thread joint. Manually tighten the flared end nut.
2. Use torque spanner to tighten the flared end nut until the spanner clatters (Figure 10).

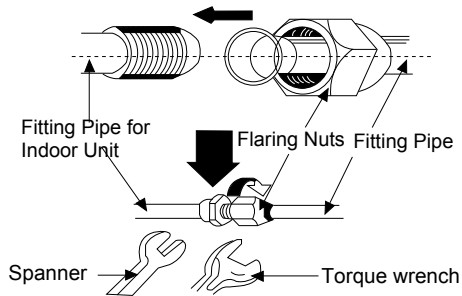


Fig.10

The following table describes the torques for tightening nuts of different pipe diameters.

Pipe Diameter	Tightening Torque
1/4" (Inch)	15-30 (N • m)
3/8" (Inch)	35-40 (N • m)
1/2" (Inch)	45-50 (N • m)

Installation of Protective Layer of Connecting Pipe

1. To avoid generation of condensate on the connecting pipe and avoid leakage, the big pipe and the small pipe of the connecting pipe must be covered by thermal insulation materials, be bundled by adhesive tape, and be isolated from air.
2. The joint connecting to the indoor unit must be wrapped by thermal insulation material. There shall be no gap between the connecting pipe joint and the wall of the indoor unit. Refer to Figure 11.

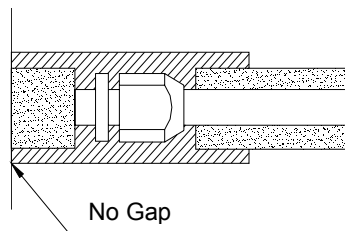


Fig.11

⚠ Caution: After the pipes are wrapped by protective materials, never bend the pipes to form very small angle, and otherwise the pipes may crack or break.

3. Use adhesive tape to wrap the pipes:
 - (1) Use adhesive tape to bundle the connecting pipe and the cables together. To prevent condensate from overflowing out from the drainage pipe, separate the drainage pipe firm the connecting pipe and the cables.
 - (2) Wrapped pipe must be fixed to wall using pipe clamps.

⚠ Caution:

- (1) Do not wrap the protective tape too tight, and otherwise the efficiency of thermal insulation may be decreased. Ensure that the condensate drainage flexible tube is separate from the bundled pipes.
- (2) After the protective work is completed and the pipes are wrapped, use seal material to block the hole in the wall, so as to prevent rain and wind from entering the room.

Position and Method of Installing Wire Controller

1. One end of the control wire of the manual controller is connected with main board of electric box of indoor unit inside, it should be tightened by wire clamp, the other end should be connected with the manual controller (installation sketch map as shown in below). The control wire be used for the indoor unit and manual controller, which is the special communication wire, the length is 8 meters, the material be adopted for the control wire should be metallic substance. The manual controller could not be disassembled and the communication wire be used for the manual controller should not be changed by users optionally, the installation and maintenance should be carried out by the professional personnel.
2. First select an installation position. According to the size of the communication line of the wire controller, leave a recess or a embedded wire hole to bury the communication line.
3. If the communication line between the wire controller and the indoor unit is surface-mounted, use 1# metallic pipe and make matching recess in the wall (refer to Figure 11);

4. No matter if surface mounting or concealed mounting is selected, it is required to drill 2 holes (in the same level) which distance shall be the same as the distance (60mm) of installation holes in the bottom plate of the wire controller. Then insert a wood plug into each hole. Fix the bottom plate of the wire controller to the wall by using the two holes. Plug the communication line onto the control panel. Lastly install the panel of the wire controller.

Caution:

During the installation of the bottom plate of the wire controller, pay attention to the direction of the bottom plate. The plate's side with two notches must be at the lower position, and otherwise the panel of the wire controller cannot be correctly installed.

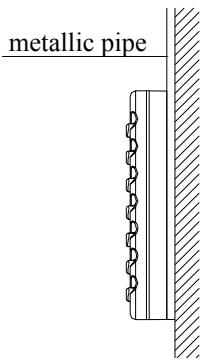


Figure 12 Surface Mounting of Cable

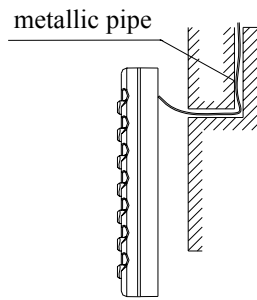


Figure 13 Concealed mounting of Cable

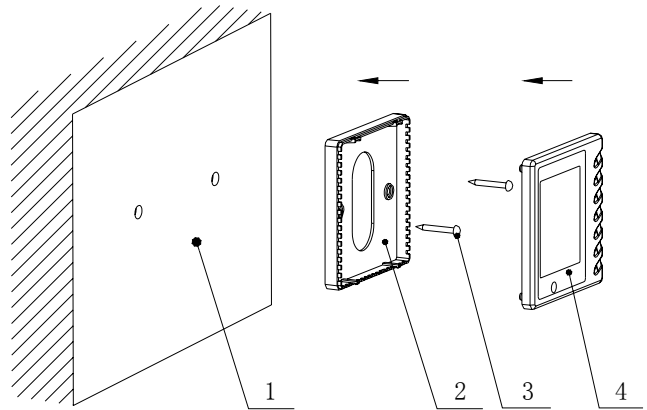


Figure 14 Schematic Diagram of Installation

No.	Name
1	Wall Surface
2	Bottom Plate of Wire Controller
3	Screw M4X10
4	Panel of Wire Controller

⚠ Caution:

1. The communication distance between the main board and the wire controller is 8 meters.
2. The wire controller shall not be installed in a place where there is water drop or large amount of water vapor.

 **Caution:** Before installing the electrical equipment, please pay attention to the following matters which have been specially pointed out by our designers:

- (1) Check to see if the power supply used conforms to the rated power supply specified on the nameplate.
- (2) The capacity of the power supply must be large enough. The section area of fitting line in the room shall be larger than 2.5mm².
- (3) The lines must be installed by professional personnel.

An electricity leakage protection switch and an air switch with gap between electrode heads larger than 3mm shall be installed in the fixed line.

1. Connection of signal wire
 - (1) Use wire stripper to strip the insulation layer (25mm long) from the end of the signal wire.
 - (2) Remove the screw at the terminal board of the air-conditioning unit.
 - (3) Use pliers to bend the end of the signal wire so that a loop matching the screw size is formed.
 - (4) Put the screw through the loop of the signal wire and fix the loop at the terminal board.
2. Connection of multiple twisted wires
 - (1) Use wire stripper to strip the insulation layer (10mm long) from the end of the multiple twisted wires.
 - (2) Remove the screw at the terminal board of the air-conditioning unit.
 - (3) Use crimping pliers to connect a terminal (matching the size of the screw) at the end of the multiple twisted wires.
 - (4) Put the screw through the terminal of the multiple twisted wires and fix the terminal at the terminal board.

 **Warning:**

If the power supply flexible line or the signal line of the equipment is damaged, only use special flexible line to replace it.

1. Before connecting lines, read the voltages of the relevant parts on the nameplate. Then carry out line connection according to the schematic diagram.
2. The air-conditioning unit shall have special power supply line which shall be equipped with electricity leakage switch and air switch, so as to deal with overload conditions.
3. The air-conditioning unit must have grounding to avoid hazard owing to insulation failure.
4. All fitting lines must use crimp terminals or single wire. If multiple twisted wires are connected to terminal board, arc may arise.
5. All line connections must conform to the schematic diagram of lines. Wrong connection may cause abnormal operation or damage of the air-conditioning unit.
6. Do not let any cable contact the refrigerant pipe, the compressor and moving parts such as fan.
7. Do not change the internal line connections inside the air-conditioning unit. The manufacturer shall not be liable for any loss or abnormal operation arising from wrong line connections.

Power Cable Connection:

1. Air-conditioning unit with single-phase power supply
 - (1) Remove the front-side panel of the outdoor unit.
 - (2) Pass the cable through rubber ring.
 - (3) Connect the power supply cable to the "N(1),(2),(3)" terminals and the grounding screw on the metal electric box.

- (4) Use cable fastener to bundle and fix the cable.

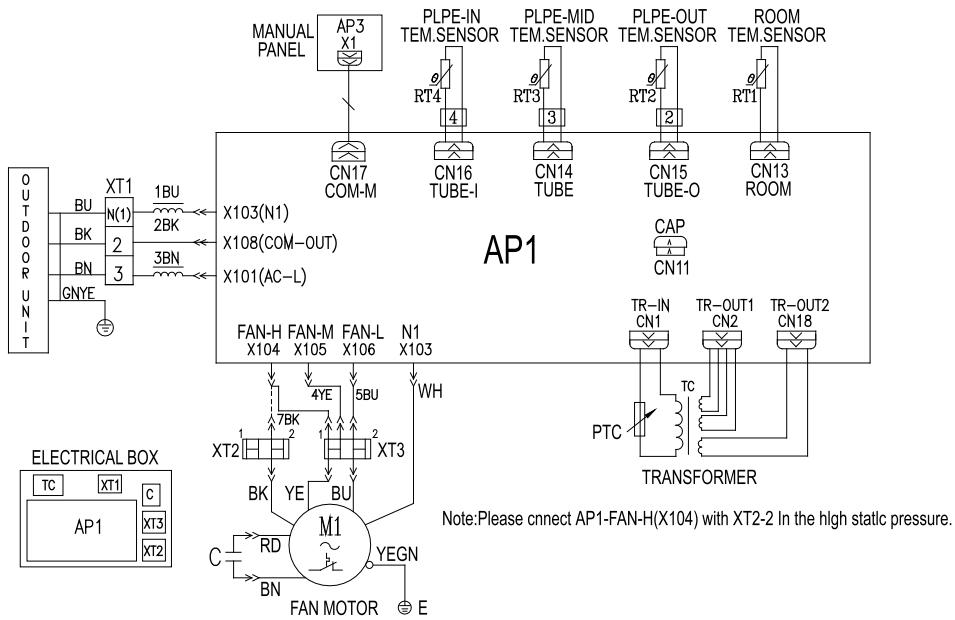
Connection of Signal Line of Wire Controller

1. Open the cover of the electric box of the indoor unit.
2. Pull the signal cable of the wire controller through the rubber ring.
3. Plug the signal line of the wire controller onto the 4-bit pin socket at the circuit board of the indoor unit.
(CN10 of the wire controller connect with CN3 of the indoor unit)
4. Use cable fastener to bundle and fix the signal cable of the wire controller.

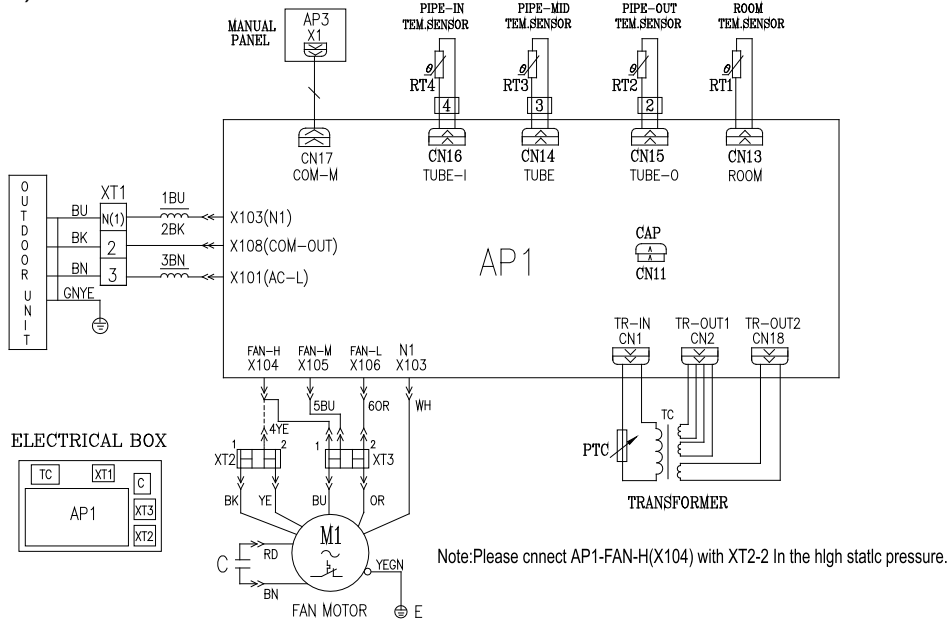
Cable Connecting Diagram of Unit

Schematic Diagram of Unit Line Connection:

GFHD(09)AANK3A1AI
GFHD(12)AANK3A1AI



GFHD(18)AANK3A1AI



If your air-conditioning unit suffers from abnormal operation or failure, please first check the following points before repair:

Failure	Possible Reasons
The unit cannot be started.	<ol style="list-style-type: none"> 1. The power supply is not connected. 2. Electrical leakage of air-conditioning unit causes tripping of leakage switch. 3. The operating keys are locked. 4. The control loop has failure.
The unit operates for a while and then stops.	<ol style="list-style-type: none"> 1. There is obstacle in front of the condenser. 2. The control loop is abnormal. 3. Cooling operation is selected when the outdoor ambient temperature is above 43 .
Poor cooling effect.	<ol style="list-style-type: none"> 1. The air filter is dirty or blocked. 2. There is heat source or too many people inside the room. 3. The door or window is open. 4. There is obstacle at the air intake or outlet. 5. The set temperature is too high thus cooling is hindered. 6. There is refrigerant leakage. 7. The performance of room temperature sensor becomes worse
Poor heating effect	<ol style="list-style-type: none"> 1. The air filter is dirty or blocked. 2. The door or window is not firmly closed. 3. The set room temperature is too low thus heating is hindered. 4. There is refrigerant leakage. 5. The outdoor ambient temperature is lower than -5 . 6. Control line is abnormal.

Note: After carrying out the check of the above items and taking relevant measures to solve the problems found but the air-conditioning unit still does not function well, please stop the operation of the unit immediately and contact the local service agency designated by Gree. Only ask professional serviceman to check and repair the unit.

Routine Maintenance

Cleaning the Air Filter(Operating by the professional)

- (1) Do not disassemble the air filter when cleaning it. Otherwise failure may be caused
- (2) If the air-conditioning unit is used in an environment with much dust, you should clean the air filter frequently (once every two weeks).



Caution: You shall pay attention to the following matters when cleaning the air-conditioning unit.

- 1) Cut off all power supply before contacting the line connecting equipment.
- 2) Only clean the air-conditioning unit after the unit is shut off and the power supply is disconnected. Otherwise electrical shock or injury may be caused.
- 3) Do not use water to clean the air-conditioning unit. Otherwise there may be electrical shock.

- 4) Take care when cleaning the air-conditioning unit. Use a steady stepping stand.

2. Maintenance at the Beginning of Operating Season

Check the air inlet and outlet of the indoor and outdoor units to confirm there is no blockage.

Check to see if the grounding wire is in good condition;(Operating by the professional)

Check to see if the line connection is in good condition;(Operating by the professional)

Check if there is any word displaying on the LCD of the wire controller after connecting the unit to power supply.

Note: If there is any abnormal condition, ask aftersales personnel to offer guidance.

3. Maintenance at the End of the Operational Season

- (1) When the weather is clear, operate the unit under fan mode for half a day, so as to dry the inside of the unit.
- (2) If not to use the air-conditioning unit for a long time, please cut off the power supply. Now the words on the LCD of the wire controller shall disappear.



This product must not be disposed together with the domestic waste. This product has to be disposed at an authorized place for recycling of electrical and electronic appliances.

66162468