

### 1. Installation instruction

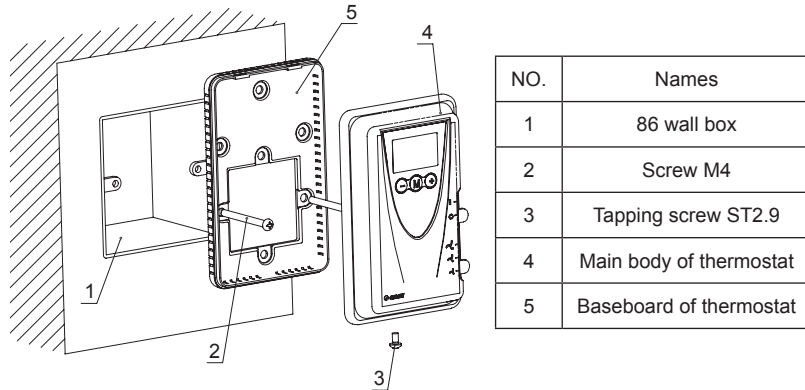


Fig.1 Installation diagram for thermostat

Screw off the tapping screws ST2.9 with screwdriver, and then upwards remove main body from the thermostat; Fit the baseboard on 86 wall box with 2 M4 screws fixing; Connect all wires according to electrical diagram, and then put the main body on the baseboard, at last, screw down the tapping screws ST2.9. Refer to Fig.1 for the detailed operation.

### 2. Electrical diagram

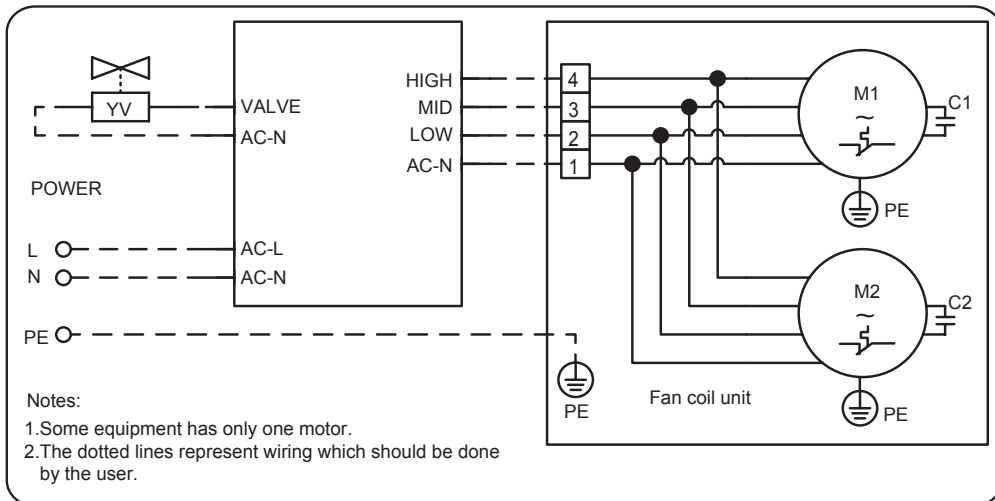


Fig. 2 Wiring diagram

POWER: 220V~ 50HZ.

As shown in Fig.2, AC-L and AC-N respectively is live wire and neutral wire; HIGH, MID, LOW respectively is one of three-step fan speed; Water valve must be installed so that indoor temperature can be controlled by thermostat.

### 3. Operation instruction

(1) Appearance and structure of thermostat panel. As shown in Fig.3 :

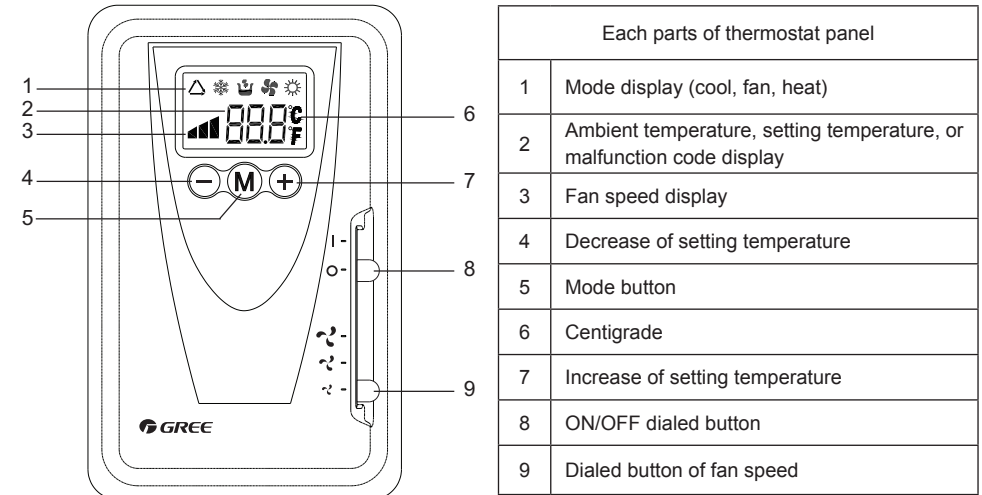


Fig. 3 Appearance of thermostat panel

(2) ON/OFF.

Dial "ON/OFF" button to "I" position, the fan coil unit will be started. Dial "ON/OFF" button to "O" position, the fan coil unit will be stopped.

(3) Fan speed adjustment.

- 1) Dial fan button to position, the fan will run at high speed.
- 2) Dial fan button to position, the fan will run at middle speed.
- 3) Dial fan button to position, the fan will run at low speed.


(4) Temperature setting.


- 1) In cooling or heating mode, press "+" or "-" button to adjust temperature. Press "+" button once, the setting temperature will be increased by 1°C. Press "-" button once, the setting temperature will be decreased by 1°C.
- 2) In cooling or heating mode, the setting temperature is in the range of 16°C~30°C.
- 3) In fan mode, the setting temperature is fixed on 24°C and it can not be changed.
- 4) Current ambient temperature will be displayed in the region for displaying temperature if there is no operation of setting temperature. Press "+" or "-" button, the icon "°C" flickers and current setting temperature will be displayed. If there is no operation on "+" or "-" button in 5s, the icon "°C" will stop flickering, and current ambient temperature will be displayed once again.

(5) Mode adjustment.

- 1) Every press of "M" button, the operation of mode will be changed orderly as below:



2) In cooling mode, icon  will light on, in which case, setting temperature must be lower than that of ambient temperature, and otherwise, the unit will not cool the air.

3) In heating mode, icon  will light on, in which case, setting temperature must be higher than that of ambient temperature, and otherwise, the unit will not heat the air.

4) In fan mode, icon  will light on.

(6) Malfunction Display

If temperature sensor has error, ambient temperature will be defaulted by the thermostat to be 24°C , "F0" will be displayed, and "+", "-", and "M" buttons are not available, under this situation, user should stop the unit and ask professional personnel for help.

---

**GREE ELECTRIC APPLIANCES, INC. OF ZHUHAI**

Add: West Jinji Rd, Qianshan, Zhuhai, Guangdong, China, 519070  
Tel: (+86-756) 8522218 Fax: (+86-756) 8669426  
E-mail: gree@gree.com.cn www.gree.com

